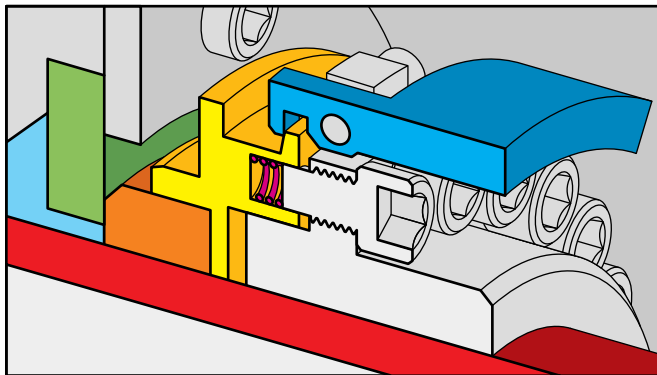


SolidLock® STATIC SEAL

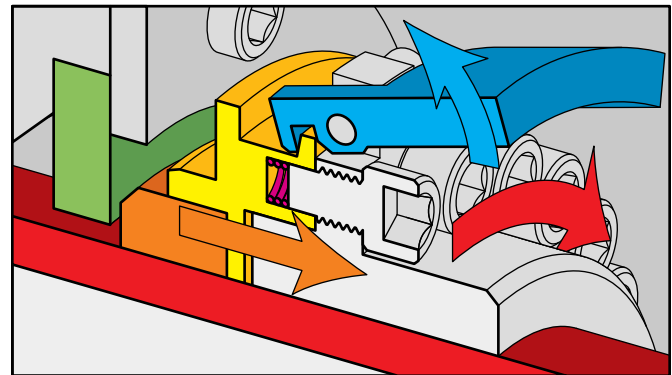
WILFLEY®
HEAVY DUTY
CENTRIFUGAL PUMPS

The ultimate static seal for the toughest slurry applications

The SolidLock® static seal, combined with the Wilfley dynamic expeller, is the perfect sealing solution for any pumping application that contains solids. The SolidLock® has proven to be a superior alternative to conventional sealing technologies.



PUMP OFF / SEAL CLOSED



PUMP RUNNING / SEAL OPEN

The SolidLock® has a simple but very effective design. Upon start up, centrifugal forces act upon governor weights to open the seal faces and preclude any seal drag and wear. At shut down, isolated springs force the seal faces to close prior to the transition of dynamic sealing to static. The ingenious, self-enclosing design of the proprietary stationary seal face will flex outwards against the rotary seal face to eliminate leakage due to increased internal pressure.

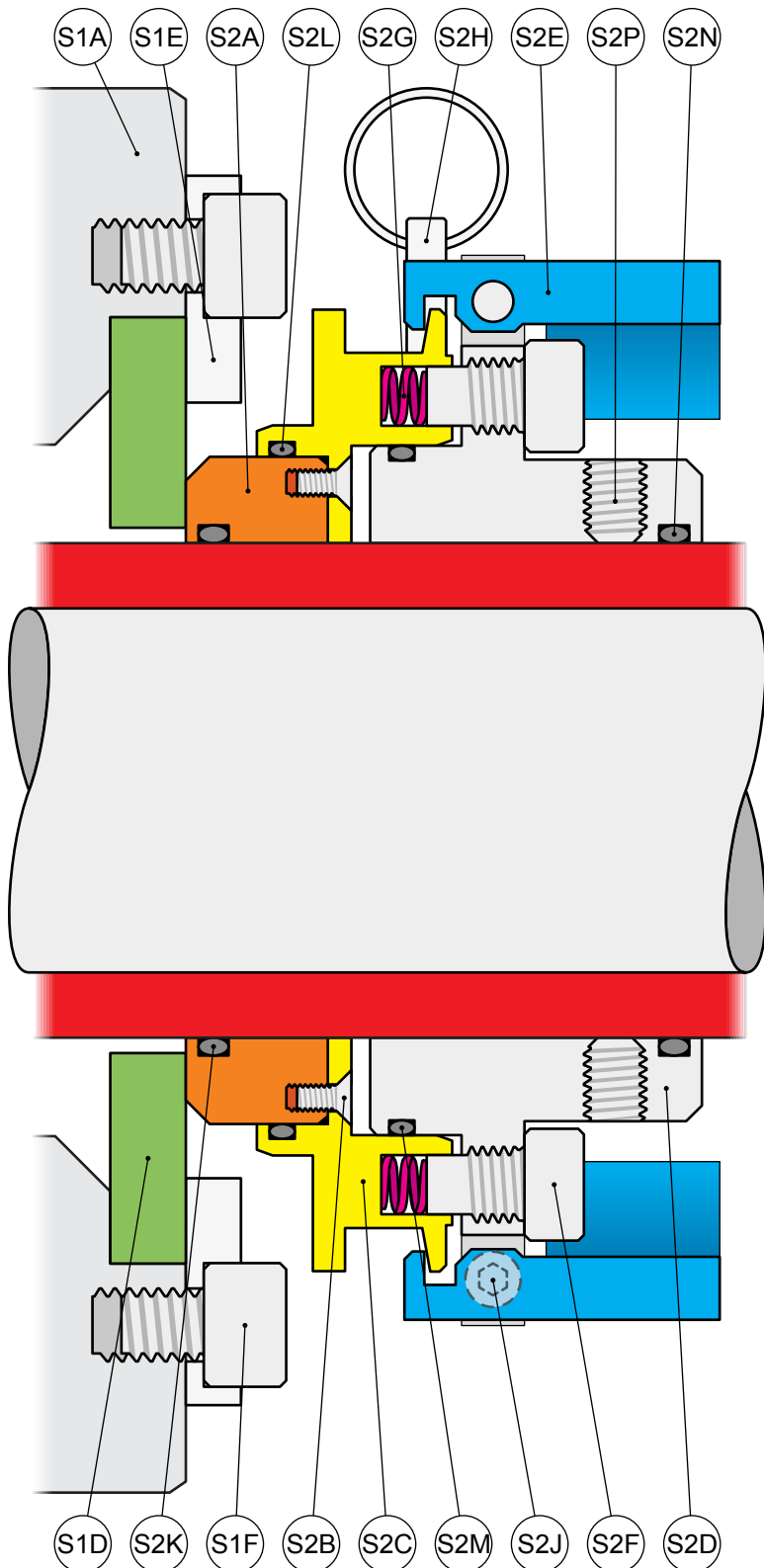
The SolidLock® couldn't be easier to install and maintain:

- Retrofit kits are available to convert existing Wilfley pumps in the field
- The cartridge style assembly is designed for straight-forward installation
- The seal actuating speed can be easily adjusted without disassembling the pump

Currently Available On These Wilfley Pumps:

EMW® SLURRY PUMP KPRO® SLURRY PUMP HD SLURRY PUMP S3 ACID SLURRY PUMP
A9 CHEMICAL PUMP A7 CHEMICAL PUMP AF CHEMICAL PUMP

SolidLock® STATIC SEAL



Part No.	Description	Qty.
S1A	Stationary Seal Housing	1
S1D	Stationary Seal	1
S1E	Seal Lock	1
S1F	Stationary Seal Bolts	4-6
S2A	Rotary Seal	1
S2B	Rotary Seal Bolts	4
S2C	Rotary Seal Carrier	1
S2D	Weight Spider	1
S2E	Weights	2
S2F	Spring Bolts	TBD ¹
S2G	Springs	TBD ¹
S2H	Pull Pin	2
S2J	Weight Bolts	2
S2K	O-Ring, Rotary Seal	1
S2L	O-Ring, Rotary Seal Carrier	1
S2M	O-Ring, Weight Spider	1
S2N	O-Ring, Weight Spider to Shaft Sleeve	1
S2P	Shaft Sleeve Set Screws	4
TBD ²	Shaft Sleeve	1

1. Quantity varies with pump size and operating speed.
2. Part number varies with pump model.

Purge Port Configuration

Part No.	Description	Qty.
S1H	Lip Seal	1

